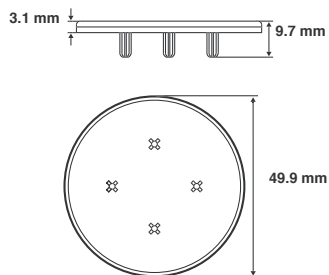


# INFO-POST DISPLAY UNIT - INSTALLATION GUIDELINES ( Parts & Accessories )

1.

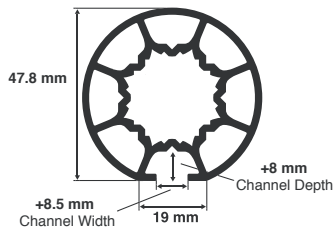


**End Cap**  
Ref. 388

**Plastic End Cap**  
For Use With: TR Series  
Colors: Gray

Weight: 0.01lbs

2.

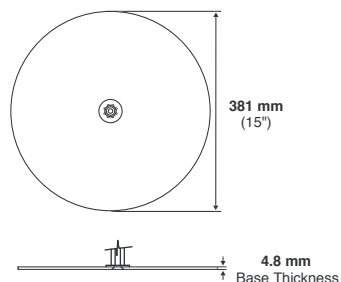


**TR 1100**  
Ref. 133

Lengths: 78"  
Compatibility: PH1005 Horizontal Extr.  
Finish: Clear anodized

Weight: 5.7 lbs

3.



**Round Floor Base**  
Ref. 625 ROUND

**Round Floor Base**  
Material: Steel, black epoxy powder paint  
Compatibility: TR Series

Includes: DIN7991 M10 x 30\*

Hex Key: 6 mm Weight: 12.8 - 13.5 lbs



625 Round 111

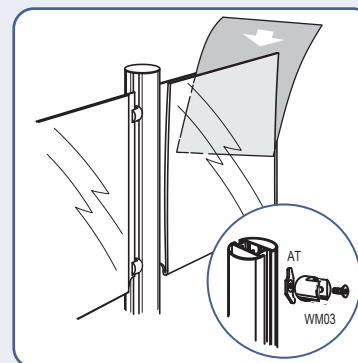


10 mm Screw

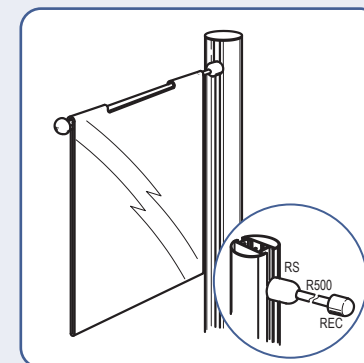


Small Washer

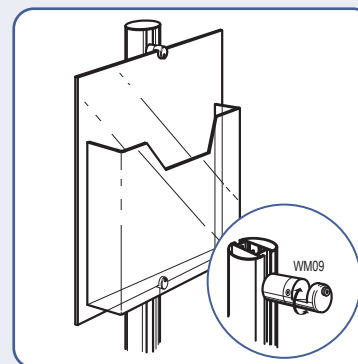
## ACRYLIC ACCESSORIES



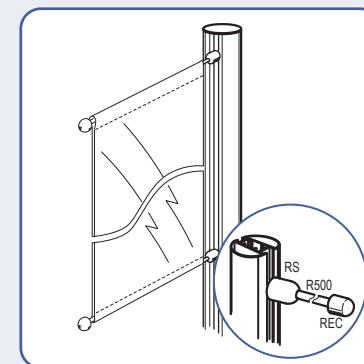
Easy Access Pocket



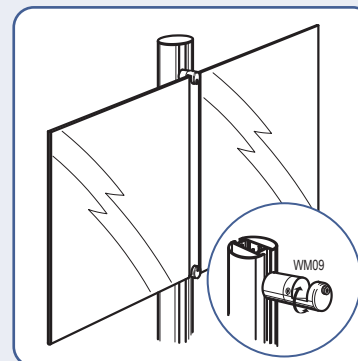
Hook-on Pocket



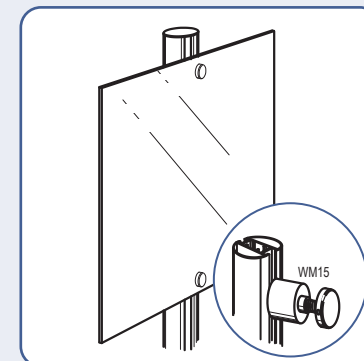
Leaflet Dispensers



Info Banner



Easy Access - Double Pocket



Graphic Board