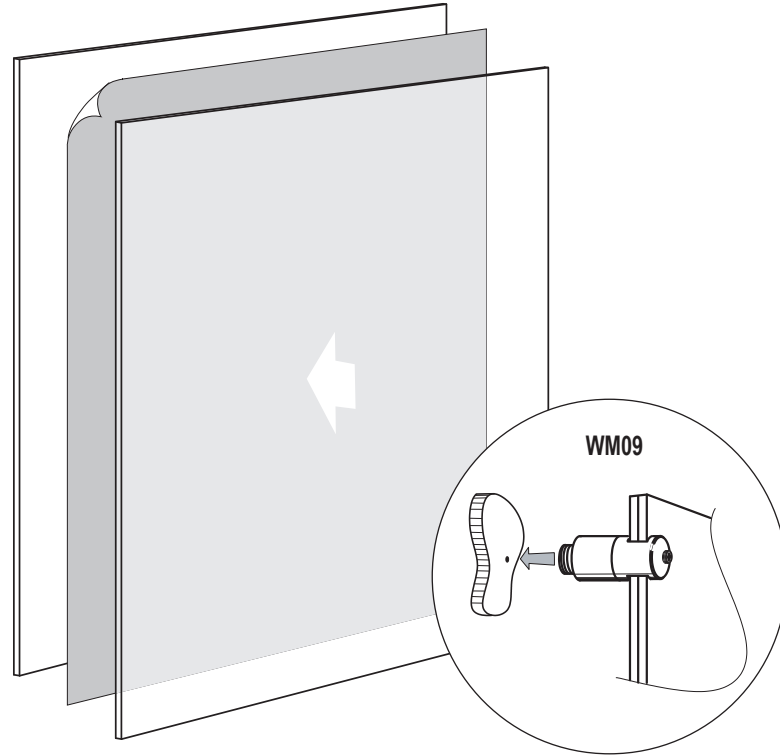
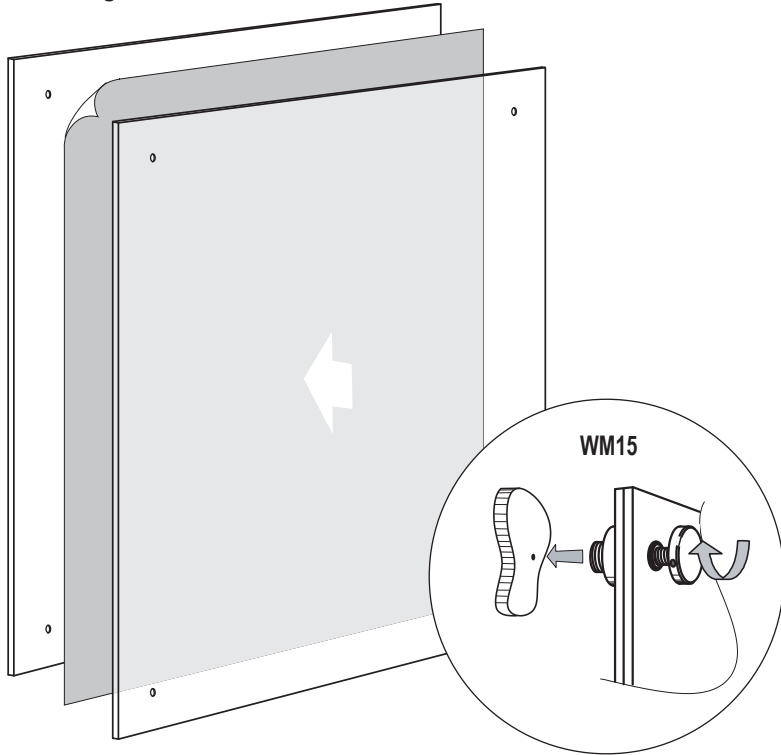
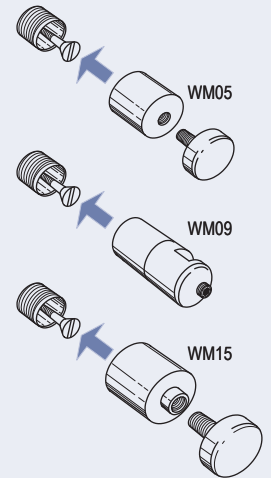


POSTER/INFORMATION KITS - FRAMELESS POSTER DISPLAYS

Wall Fixing



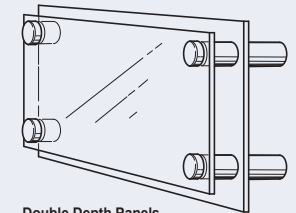
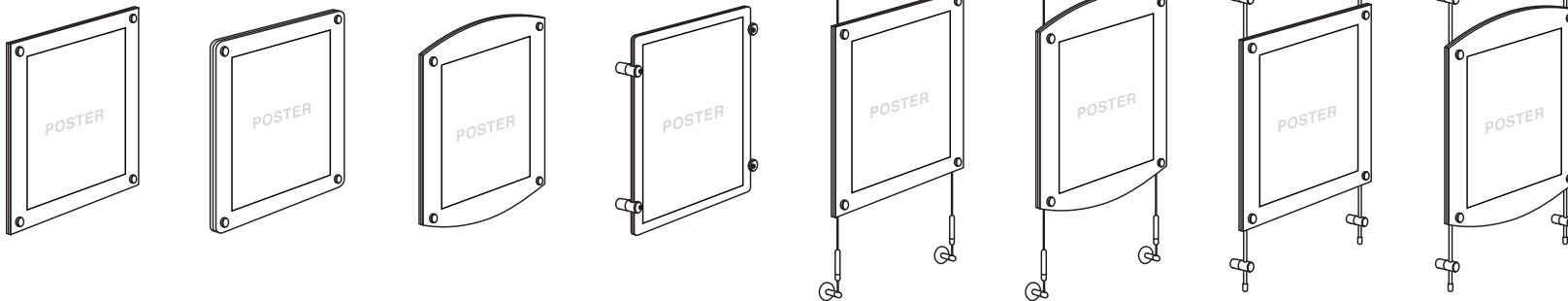
HARDWARE OPTIONS



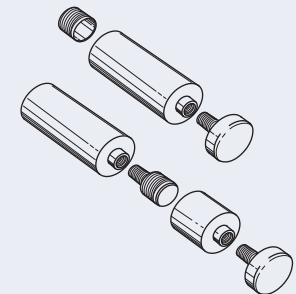
INSTALLATION TIPS

- Large Supports - special ridge projects from end of fitting to allow panel to sit in position during installation.

Display Frame Types & Mounting Options



Double Depth Panels...
Make a strong design statement by using one panel in front of another to create a double-depth sign. Can be achieved by joining two supports with PC31 to take a panel up to 6mm thick.



- Join to supports together using PC31 to create a double-depth sign.