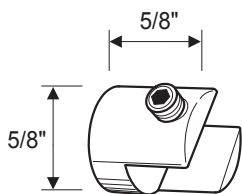
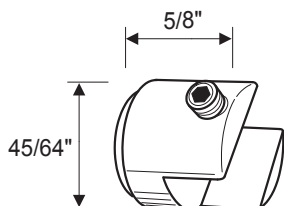


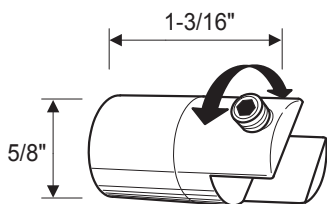
Sign & Panel Supports - INSTALLATION GUIDELINES



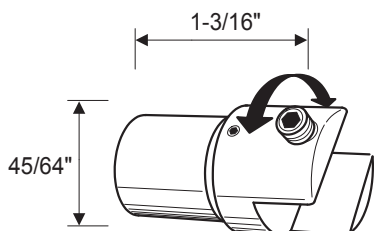
Shelf/Panel Support - WM03



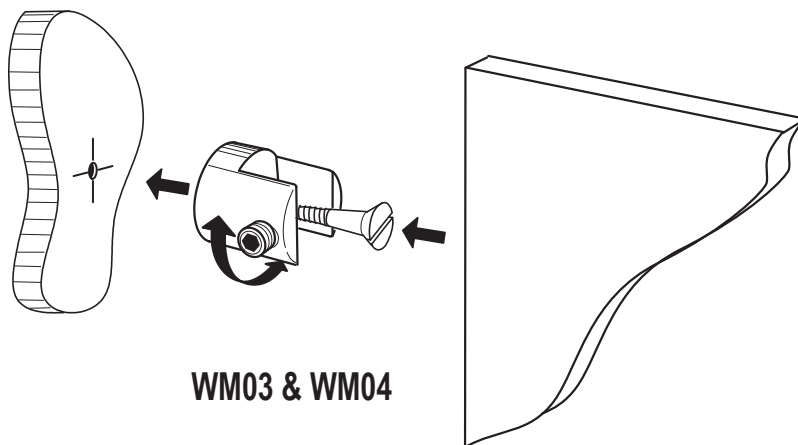
Shelf/Panel Support - WM04



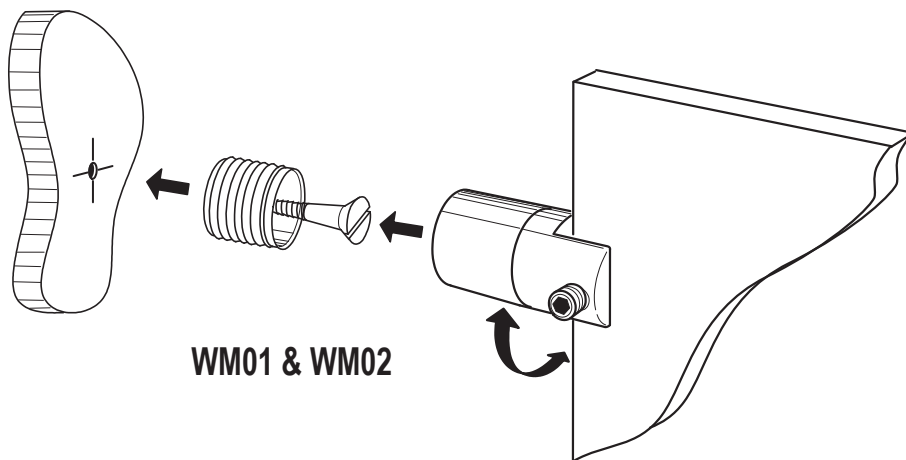
Shelf/Panel Support - WM01



Shelf/Panel Support - WM02



WM03 & WM04



WM01 & WM02

